



Sprung coupling TYPE 340 - up to 900 Nm


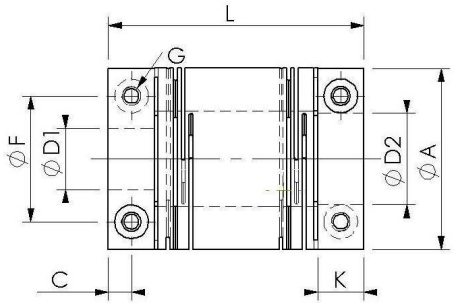
Characteristics:

- Operational temperature of up to 200°C
- No backlash and torsional rigidity
- Maintenance-free and non-wearing
- Very high rotational speeds possible
- Full radius on spring slots
- Tapered bores and bushings are not slotted

Application:

For installing in

- Industrial robots
- Packing machines
- Machine tools
- Handling systems
- Textile machines
- Chain systems

TYPE 340 up to 900Nm															
															
Size	M _N (Nm)	Allowed shaft misalignment in mm (lateral)	Allowed shaft misalignment in mm (axial)	Spring constant in N/mm (lateral)	Spring constant in N/mm (axial)	Moment of inertia (app. 10 ⁻³ kg m ²)	Weight (app. in kg)	Torsional rigidity (10 ³ Nm/rad)	L	A	G (DIN EN ISO 4762) (Old DIN912)	D1/D2	F	C	K
60	70	0,25	0,45	257	306	0,19	0,45	39	83	59	M6	20...30	41	7,5	15
70	115	0,25	0,45	380	342	0,5	0,7	56	98	69	M8	24...35	47	9	18
80	165	0,25	0,45	394	361	0,8	1,0	61	104	79	M8	26...45	55	10	20
90	240	0,25	0,45	407	402	2,0	1,5	88	122	89	M10	26...50	62	11,5	23
100	325	0,25	0,45	434	421	3,1	1,9	121	130	99	M12	30...50	68	12	24
120	550	0,30	0,45	512	490	6,5	3,0	202	145	119	M14	36...60	82	14	28
140	900	0,30	0,45	608	558	13,5	4,6	306	166	139	M16	50...75	97	18	36

Ordering details

For example:

TYPE 340 – 80 Ø 10H7 Ø 12H7

Type Size D1 D2

For extended coupling state length required.
 Available with keyway according to DIN 6885 in many cases.