

Safety coupling TYPE 2005- up to 680 Nm

Characteristics:

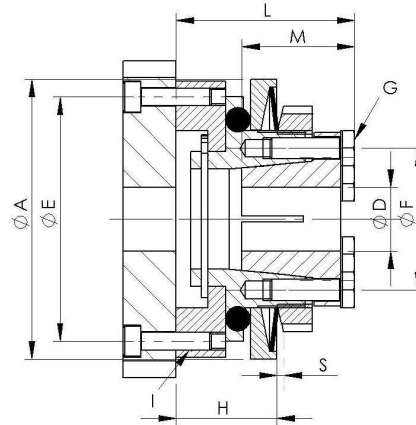
- Lower moment of inertia
- Reasonably priced
- Fixed point slipping
- Fast slipping function
- No backlash
- Stepless slipping moment
- Low residual torque
- Tapered bores and bushings are slotted

Application:

Mounting of toothed Pulleys or – sprockets for assembly in drive units for:

- Machine tools
- Packaging machines
- Conveyor systems
- Transportation systems
- Industrial robots etc.

Type 2005 – Specially for mounting on large toothed Pulleys



Size	Setting range M_A in Nm	Moment of inertia (in 10^{-3}kg/m^2)	Weight app. in kg	L	A	E	H	S	D	F	M	I	G DIN 933
5	1,3...3, 2,5...5	0,18	0,4	34	57	50	17	0,8	...16	26	26	4 x M4 / 8 deep	3 x M5
18	3...6, 4...10, 8...18	0,3	0,65	39	67	58	18	1	12...20	31	27	4 x M5 / 10 deep	3 x M5
55	12...30, 24...55	0,75	1,1	46	78	69	22	1,3	15...28	40	32	6 x M5 / 10 deep	6 x M6
170	30...70, 50...120, 90...170	2,7	1,8	56	106	94	28	1,8	22...38	51	34	6 x M8 / 12 deep	6 x M6
680	130...270, 240...480, 440...680	10,9	4,9	67	138	124	35	2	26...48	65	39	6 x M8 / 15 deep	6 x M8